

VX

VORTEX submersible pumps for sewage water

VORTEX submersible pumps for professional use, particularly reliable with generous motor specification and hard-faced mechanical seal. The proven VORTEX system allows the clearing of dirty water containing suspended solids.



RANGE OF PERFORMANCE

Flow rate up to 132 gpm
Head up to 49 ft

LIMITS OF USE

Depth up to 15 ft
Liquid temperature up to 104°F
Passage of suspended solid bodies up to 2"
For continuous duty: minimum immersion 11" from pump base

CONSTRUCTION AND SAFETY STANDARDS

EN 60 335-1	EN 60034-1
IEC 335-1	IEC 34-1
CEI 61-150	CEI 2-3



INSTALLATION AND USE

THEY ARE RECOMMENDED FOR DOMESTIC, CIVIL AND INDUSTRIAL USE, IN APPLICATIONS WHERE THE WATER CONTAINS SUSPENDED SOLIDS WITH DIMENSIONS UP TO Ø 2 plg. THEIR USE IS RECOMMENDED FOR DRYING FLOODED AREAS SUCH AS CELLARS, UNDERGROUND CAR PARKS, CAR WASHING AREAS, OR DOMESTIC DRAINS AND FOR EMPTYING CESSPITS OR SEWAGE DISPOSAL. THESE PUMPS ARE OUTSTANDING IN THEIR RELIABILITY IN FIXED INSTALLATIONS WITH AUTOMATIC OPERATION.

GUARANTEE 2 YEARS subject to our general terms of sale.

CONSTRUCTION CHARACTERISTICS

- **DELIVERY BODY:** cast iron, with threaded port
- **MOTOR CASING:** stainless steel AISI 304.
- **Base:** stainless steel AISI 304.
- **IMPELLER:** stainless steel AISI 304.
- **MOTOR SHAFT:** stainless steel EN 10088-3 - 1.4104.
- **DOUBLE SEAL:** mechanical seal **silicon carbide - NBR**, with oil barrier chamber and inner lip seal to protect the seal in the event of dry running.
- **MOTOR:** submersible asynchronous for continuous duty.
 - VX: single-phase 115 V or 230V - 60 Hz with capacitor and thermal overload protector.
 - VX: three-phase 230V - 60 Hz.
- **INSULATION:** class F. • **PROTECTION:** IP 68.

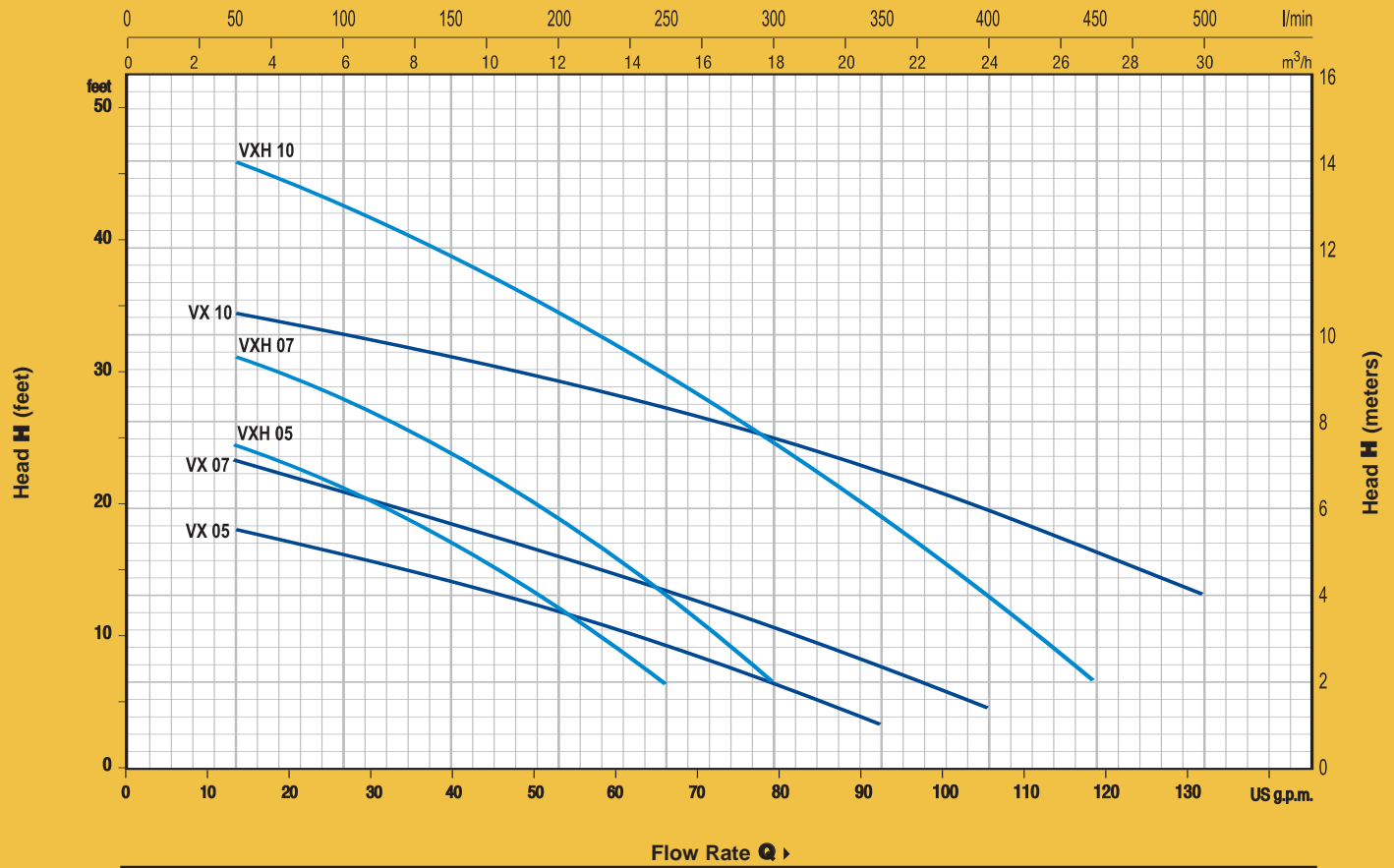
STANDARD FEATURES:

- VX** (single-phase) Float switch.
Neoprene power cable "H07 RN-F"
length 15 ft.
- VX** (three-phase) Neoprene power cable "H07 RN-F"
length 15 ft.

OPTIONS ON REQUEST

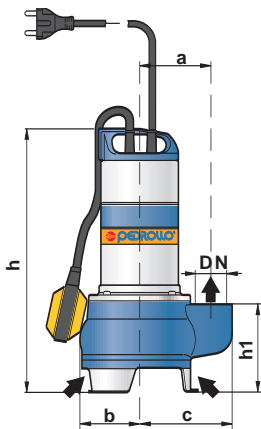
- ⇒ 30 ft power cable.
N.B. required for outdoor use to comply to standard EN 60335-2-41
- ⇒ control panel for three-phase pumps 1 Hp
- ⇒ single-phase pumps without float switch
- ⇒ other voltages or frequency 50 Hz

CURVES AND PERFORMANCE DATA

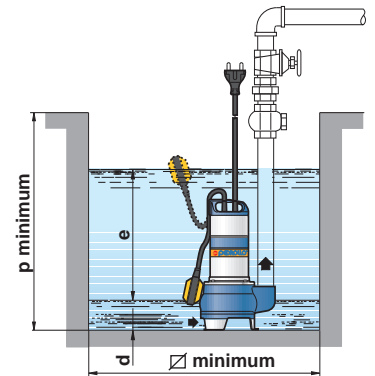


MODEL		HP	FLOW RATE GPM													
1 PH	3 PH		FLOW RATE l/min													
VXH 05		0.5	0	13	26	40	53	66	79	93	106	119	132	H Feet		
VXH 07	VXH 07	0.7	28	25	21	17	12	7								
VXH 10	VXH 10	1	33	31	28	24	19	13	7							
VX 05		0.5	49	46	43	39	34	30	25	20	13	7				
VX 07	VX 07	0.7	20	18	16	14	12	9	7	3						
VX 10	VX 10	1	25	23	21	19	16	13	10	8	5					
			36	34	33	31	30	27	25	22	20	16	13			

DIMENSIONS AND WEIGHT



Typical single-phase installation



MODEL		DISCH DN	Passage of Solid bodies	DIMENSIONS INCHES									LBS	
1 PH	3 PH			a	b	c	h	h1	d	e	p	∅min	1-	3-
VXH 05		1 1/2"	1 1/2"	4.1	3.4	5.4	15.0	4.8	1.6	Adjustable	19.7	19.7	27.4	
VXH 07	VXH 07			4.3	3.6	5.6	15.7	5.2	2.2				29.8	26.7
VXH 10	VXH 10				34.7	32.3								
VX 05		2"	2"	4.7	3.5	5.9	16.1	6.0	2.6			29.6		
VX 07	VX 07				30.7	26.7								
VX 10	VX 10				35.6	33.2								