

Thanks to the proven
VORTEX system, this
submersible pump
allows the clearing of
dirty water containing
suspended solid bodies
without any risk of
clogging the impeller.



RANGE OF PERFORMANCE

Flow rate up to 47 gpm
Head up to 23 ft

LIMITS OF USE

Depth up to 10 ft
Liquid temperature up to 104°F
(194° f for a maximum period of 3 minutes)
Passage of solid bodies up to Ø 3/4"
Drainage level 1" from the bottom

CONSTRUCTION AND SAFETY STANDARDS

EN 60 335-1	EN 60034-1
IEC 335-1	IEC 34-1
CEI 61-150	CEI 2-3



INSTALLATION AND USE

THE **TOP-VORTEX** PUMP IS SUITABLE FOR DRAINING DIRTY WATER THAT IS CHEMICALLY NON AGGRESSIVE. THE CONSTRUCTION GUARANTEES SIMPLE AND SAFE OPERATION DUE TO THE COMPLETE COOLING OF THE MOTOR BY THE PUMPED WATER AND THE DOUBLE SEAL DESIGN. IT IS RECOMMENDED FOR DOMESTIC USE, FOR THE CLEARING OF DIRTY WATER, FOR EMPTYING TANKS, DOMESTIC DRAINS AND COLLECTION TRAPS, EVEN WITH SUSPENDED SOLID BODIES WITH DIMENSIONS UP TO Ø 3/4".

GUARANTEE 2 YEARS subject to our general terms of sale.

CONSTRUCTION CHARACTERISTICS

- **DELIVERY BODY:** glass filled **technopolymer**, particularly resistant to impact and corrosion, with threaded port.
- **SUCTION GRID:** **technopolymer**.
- **IMPELLER:** **technopolymer**.
- **MOTOR SUPPORT:** **stainless steel AISI 304**.
- **MOTOR SHAFT:** **stainless steel EN 10088-3 - 1.4104**.
- **DOUBLE SEAL:** mechanical seal **ceramic - graphite - NBR**, with oil barrier chamber and inner lip seal to protect the seal in the event of dry running.
- **MOTOR:** submersible asynchronous single-phase for continuous duty.
TOP-VORTEX: single-phase 115 V or 230 V - 60 Hz with capacitor and thermal overload protector.
- **INSULATION:** class F. • **PROTECTION:** IP 68.
- **REGISTERED MODEL n° 72765**

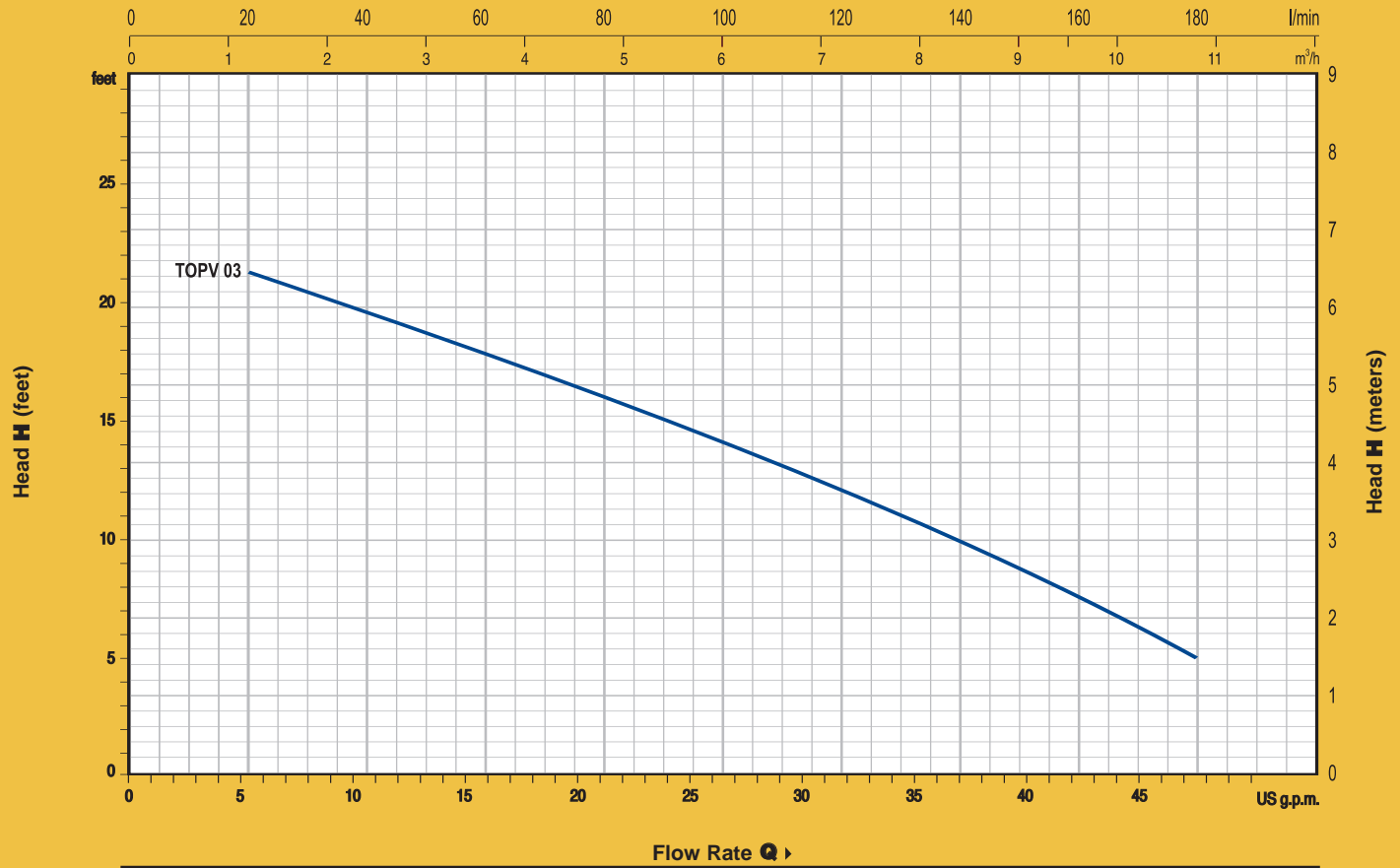
STANDARD FEATURES:

TOP-VORTEX Float switch.
Hosetail.
Neoprene power cable "H05 RN-F"
length 15 ft.

OPTIONS ON REQUEST

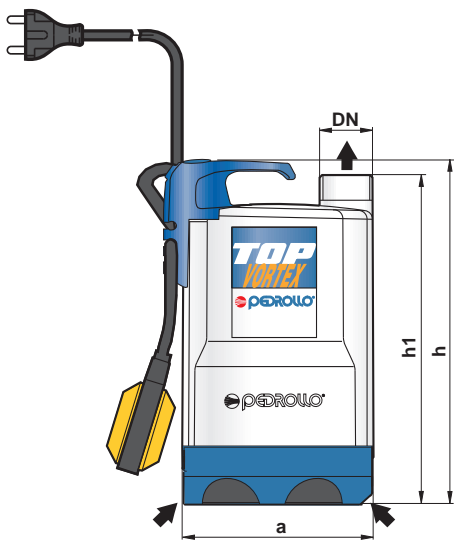
- ⇒ special mechanical seal
- ⇒ 30 ft power cable.
N.B. required for outdoor use to comply with standard EN 60335-2-41
- ⇒ other voltages or frequency 50 Hz

CURVES AND PERFORMANCE DATA

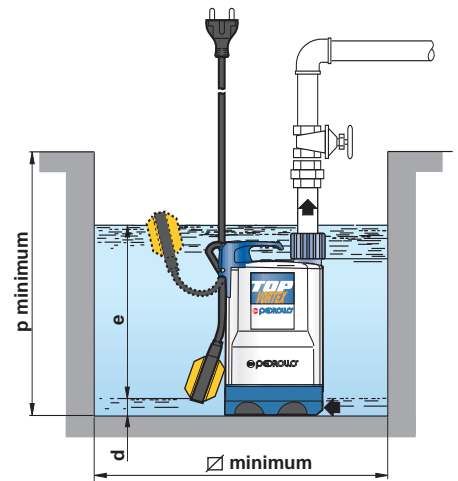


MODEL	HP	FLOW RATE GPM	0	5	10	15	21	26	31	37	42	47
		FLOW RATE l/min	0	20	40	60	80	100	120	140	160	180
TOPV 03	0.33	H Feet	23	21	19	17	15	13	11	9	8	4

DIMENSIONS AND WEIGHT



Typical installation



MODEL	DN	DISCH		DIMENSIONS INCHES					LBS
		a	h	h1	d	e	p	Ø min	
TOPV 03	1 1/4"	6.0	11.3	10.6	1.0	adjustable	13.7	13.7	11.0