

TOP MULTI

**multi-stage submersible pumps
for clear water**



RANGE OF PERFORMANCE

Flow rate up to 26 gpm
Head up to 137 ft

LIMITS OF USE

Submersion depth up to 32 ft
Liquid temperature up to + 104°F
Emptying level up to 1 1/16" from the bottom

CONSTRUCTION AND SAFETY STANDARDS

EN 60 335-1 EN 60034-1
IEC 335-1 IEC 34-1
CEI 61-150 CEI 2-3



INSTALLATION AND USE

THEY ARE RECOMMENDED FOR PUMPING CLEAN WATER. THEIR HIGH EFFICIENCY AND RELIABILITY MAKES THEM SUITABLE FOR SUPPLYING DOMESTIC WATER FROM TANKS, RESERVOIRS OR RELATIVELY DEEP WELLS, DRAWING RAINWATER FROM CISTERNS, WATERING BY HAND OR FEEDING.

GUARANTEE 2 YEARS subject to our general terms of sale.

CONSTRUCTION CHARACTERISTICS

- **DELIVERY BODY AND SUCTION GRID:** glass filled technopolymer, particularly resistant to impact and corrosion, with threaded port.
- **IMPELLERS and DIFFUSERS:** technopolymer.
- **DIFFUSER CONTAINER:** stainless steel AISI 304.
- **MOTOR SUPPORT:** stainless steel AISI 304.
- **MOTOR SHAFT:** stainless steel EN 10088-3 - 1.4104.
- **DOUBLE SEAL:** mechanical seal ceramic -silicon carbide-NBR, with oil barrier chamber and inner lip seal to protect the seal in the event of dry running.
- **MOTOR:** asynchronous, for continuous duty.
TOP M: single-phase 115 V or 230 V - 60 Hz with capacitor and thermal overload protector.
- **INSULATION:** class F. • **PROTECTION:** IP 68.
- **REGISTERED MODEL n° 72765.**

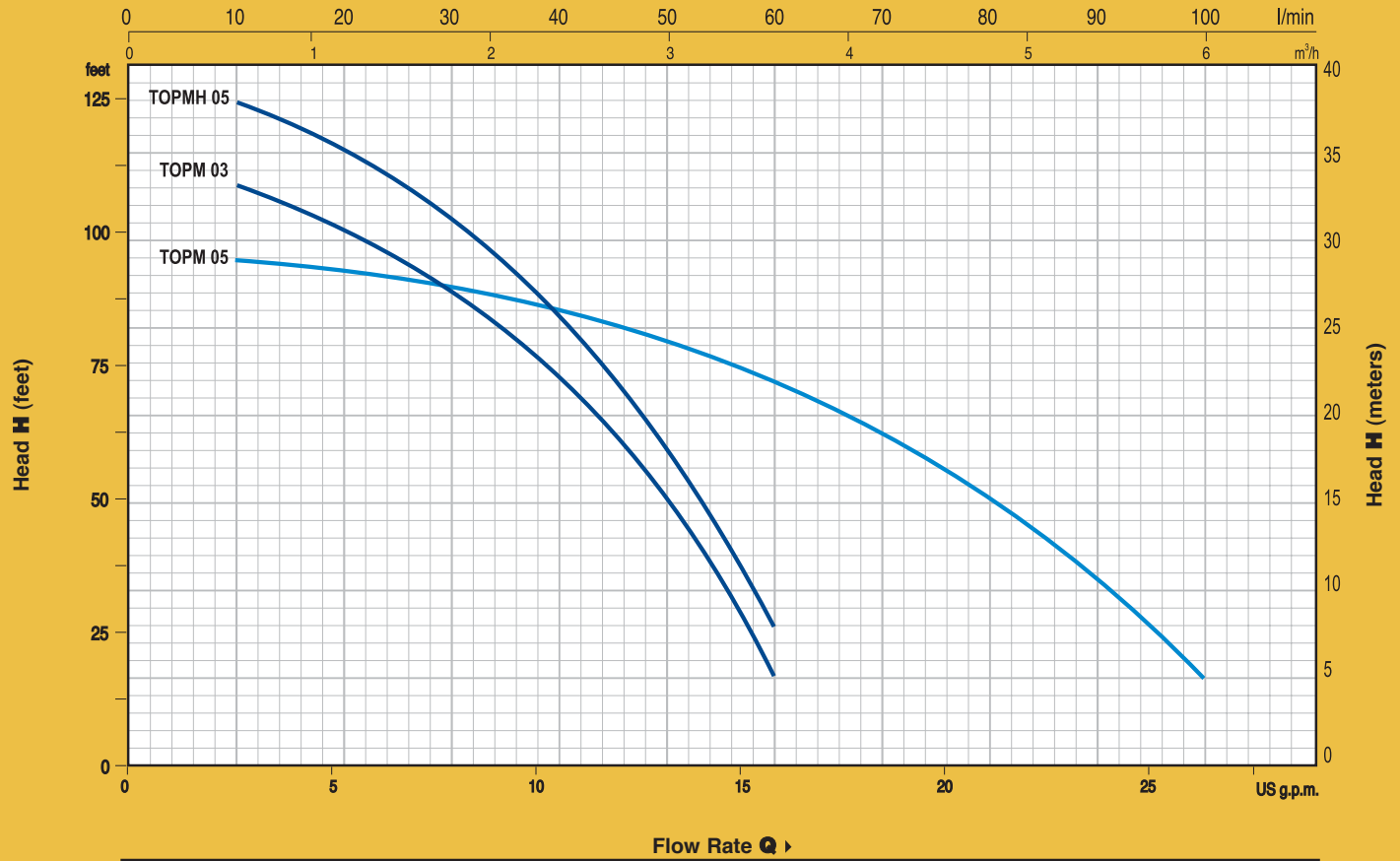
STANDARD FEATURES:

TOP-MULTI Float switch
Neoprene power cable "H05 RN-F" length 30 ft
Hosetail.
Coupling with non-return valve.

OPTIONS ON REQUEST

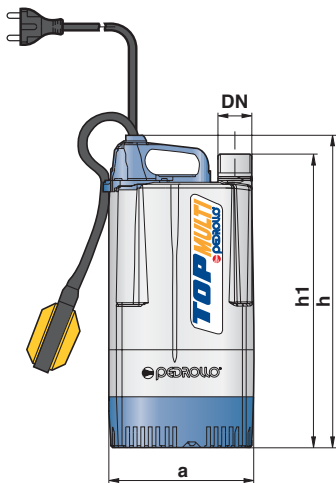
⇒ other voltages or frequency 50 Hz

CURVES AND PERFORMANCE DATA

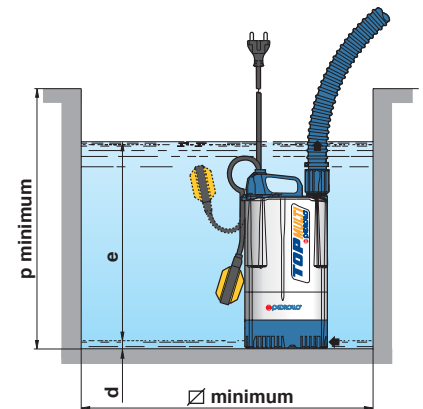


MODEL	1 PH	HP	FLOW RATE GPM												
			0	2	5	7	10	13	14	18	21	23	26		
			FLOW RATE l/min												
			0	10	20	30	40	50	55	70	80	90	100		
TOPM 03		0.33	118	108	100	87	71	48	16						
TOPM 05		0.5	98	95	92	89	85	79	72	62	49	34	16		
TOPMH 05		0.5	138	125	115	102	82	57	26						

DIMENSIONS AND WEIGHT



Typical portable application



MODEL	DISCHARGE	Stages	DIMENSIONS INCHES							LBS
			a	h	h1	d min	e	p	∅ min	
TOPM 03	1 1/4"	6	6.90	14.96	13.58	1.18		13.7	13.7	18.6
TOPM 05		5			17.9					
TOPMH 05		7			15.75					13.58