



### RANGE OF PERFORMANCE

Flow rate up to 13 gpm  
Head up to 295 ft

### LIMITS OF USE

Manometric suction lift up to 26 ft  
Liquid temperature up to + 194°F  
Environment temperature up to + 104°F

### CONSTRUCTION AND SAFETY STANDARDS

EN 60034-1  
IEC 34-1  
CEI 2-3



### INSTALLATION AND USE

They are recommended for pumping clean water without abrasive particles and liquids that are chemically non aggressive to the materials from which the pump is made. **NON-FERROUS CONSTRUCTION WITH WETTED PARTS IN HIGH PERFORMANCE TECHNOPOLYMER AND BRASS TO ELIMINATE THE POSSIBILITY OF CORROSION. CONSEQUENTLY THEY ARE RECOMMENDED FOR INDUSTRIAL APPLICATIONS INCLUDING COOLING, CONDITIONING AND BOILER FEED.**

The pumps must be installed in enclosed places, or at least protected against inclement weather.

**GUARANTEE 2 YEARS** subject to our general terms of sale.

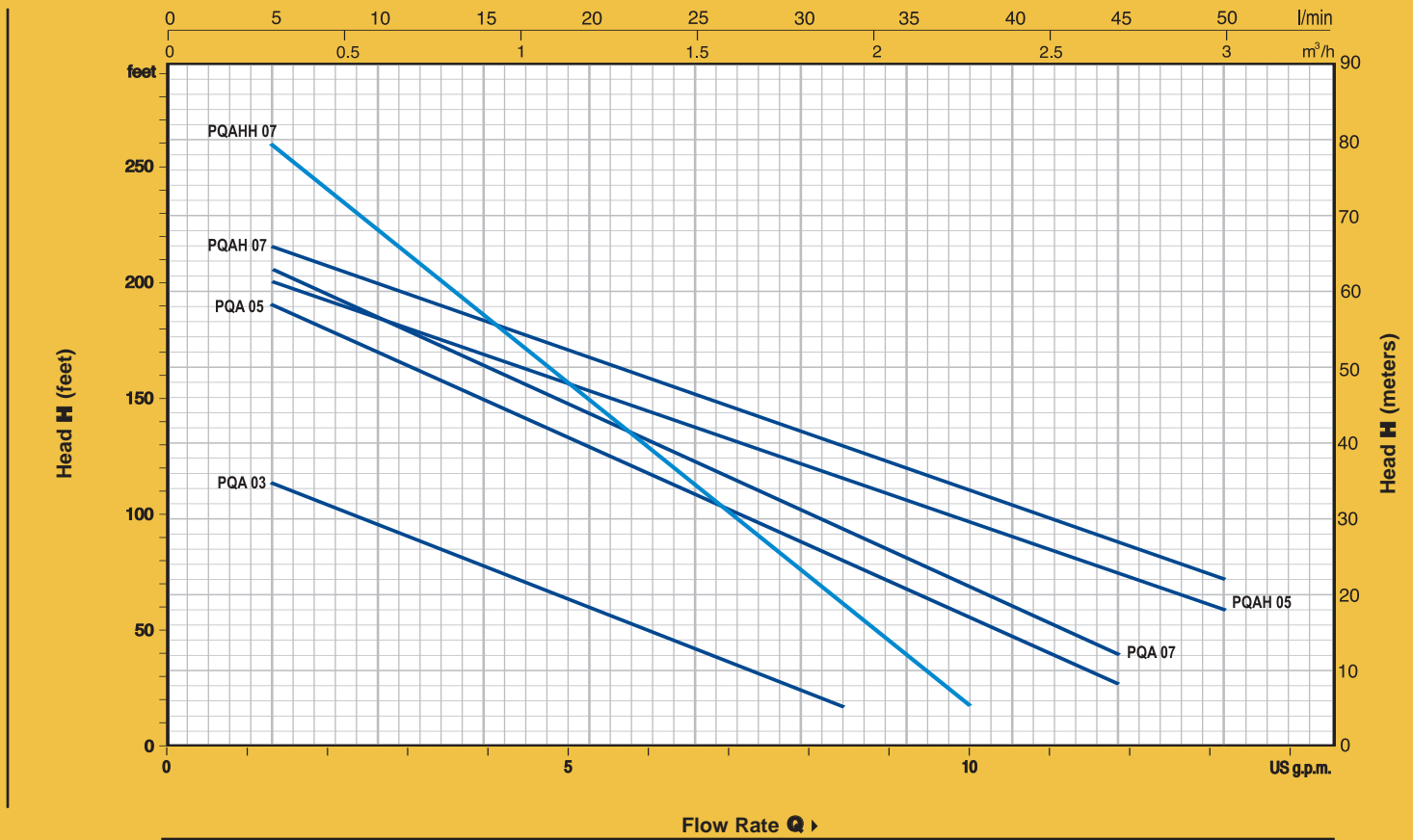
### CONSTRUCTION CHARACTERISTICS

- **PUMP BODY:** high-performance technopolymer with metal threaded port insert for secure pipe connection without damage to the pump body.
- **BODY BACK-PLATE:** brass.
- **MOTOR BRACKET (patent n° 1289150):** aluminium with brass insert; eliminates seizure of the impeller after long periods of inactivity.
- **IMPELLER:** brass, of the type with radial peripheral vanes.
- **MOTOR SHAFT:** stainless steel EN 10088-3 - 1.4104.
- **MECHANICAL SEAL:** ceramic - graphite - NBR.
- **ELECTRIC MOTOR:** the pumps are close-coupled to a carefully matched PEDROLLO electric motor, quiet running, totally enclosed fan cooled (TEFC), suitable for continuous duty.  
**PQA:** single-phase 115 V or 230 V - 60 Hz with capacitor and thermal overload protector.  
**PQA:** three-phase 230/460 V - 60 Hz.
- **INSULATION:** class F. • **PROTECTION:** IP 44.
- **REGISTERED MODEL**

### OPTIONS ON REQUEST

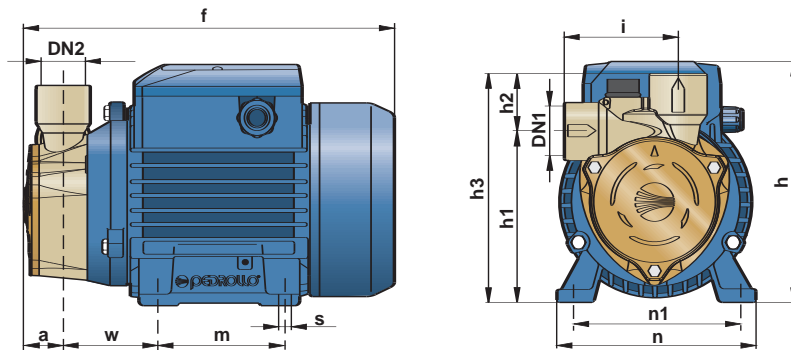
- ⇒ pump shaft in stainless steel EN 10088-3 - 1.4401 (AISI 316)
- ⇒ special mechanical seal
- ⇒ protection IP 55
- ⇒ other voltages or frequency 50 Hz

**CURVES AND PERFORMANCE DATA**



MODEL		HP	FLOW RATE GPM																							
1 PH	3 PH		FLOW RATE l/min																							
PQA 03	PQA 03	0.33	0	0.5	1.2	2.7	4	5.2	6.6	8	8.5	10	12	13	0	2	5	10	15	20	25	30	32	38	45	50
PQA 05	PQA 05	0.5	<b>H Feet</b>																							
PQA 05	PQA 05	0.5																								
PQA 07	PQA 07	0.7																								
PQA 07	PQA 07	0.7																								
PQA 07	PQA 07	0.7																								
PQA 07	PQA 07	0.7																								
PQAHH 07	PQAHH 07	0.7	296	283	260	223	186	149	112	76	61	16														

**DIMENSIONS AND WEIGHT**



MODEL		SUCTION / DISCH		DIMENSIONS INCHES												LBS	
1 PH	3 PH	DN1	DN2	a	f	h	h1	h2	h3	i	m	n	n1	w	s	1~	3~
PQA 03	PQA 03	1/2"	1/2"	1.0	8.9	6.0	4.1	1.3	5.4	2.9	3.1	4.7	3.9	2.2	0.3	10.6	10.6
PQA 05	PQA 05	1/2"	1/2"	1.1	10.2	7.0	4.6	1.3	5.9	2.9	3.5	5.4	4.4	2.4	0.3	22.7	20.5
PQA 05	PQA 05	1"	1"	1.1	10.2	7.0	4.8	1.2	5.9	3.3	3.5	5.4	4.4	2.4	0.3	22.9	20.7
PQA 07	PQA 07	1/2"	1/2"	1.1	10.2	7.0	4.6	1.3	5.9	2.9	3.5	5.4	4.4	2.4	0.3	23.2	21.0
PQA 07	PQA 07	1"	1"	1.1	10.2	7.0	4.8	1.2	5.9	3.3	3.5	5.4	4.4	2.4	0.3	23.2	21.0
PQAHH 07	PQAHH 07	1/2"	1/2"	1.1	10.1	7.0	4.8	1.4	6.1	3.0	3.5	5.4	4.4	2.4	0.3	23.2	21.0