



pumps with peripheral impeller recommended for industrial uses



RANGE OF PERFORMANCE

Flow rate up to 24 gpm
Head up to 328 ft

LIMITS OF USE

Manometric suction lift up to 26 ft
Liquid temperature up to + 194°F
Environment temperature up to + 104°F

CONSTRUCTION AND SAFETY STANDARDS

EN 60034-1
IEC 34-1
CEI 2-3



INSTALLATION AND USE

They are recommended for pumping clean water without abrasive particles and liquids that are chemically non aggressive to the materials from which the pump is made.

THE HYDRAULIC CHARACTERISTICS OF THESE PUMPS, TOGETHER WITH THEIR COMPACTNESS, MAKE THEM SUITABLE FOR USE IN THE industrial SECTOR. The pumps must be installed in enclosed places, or at least protected against inclement weather.

GUARANTEE 2 YEARS subject to our general terms of sale.

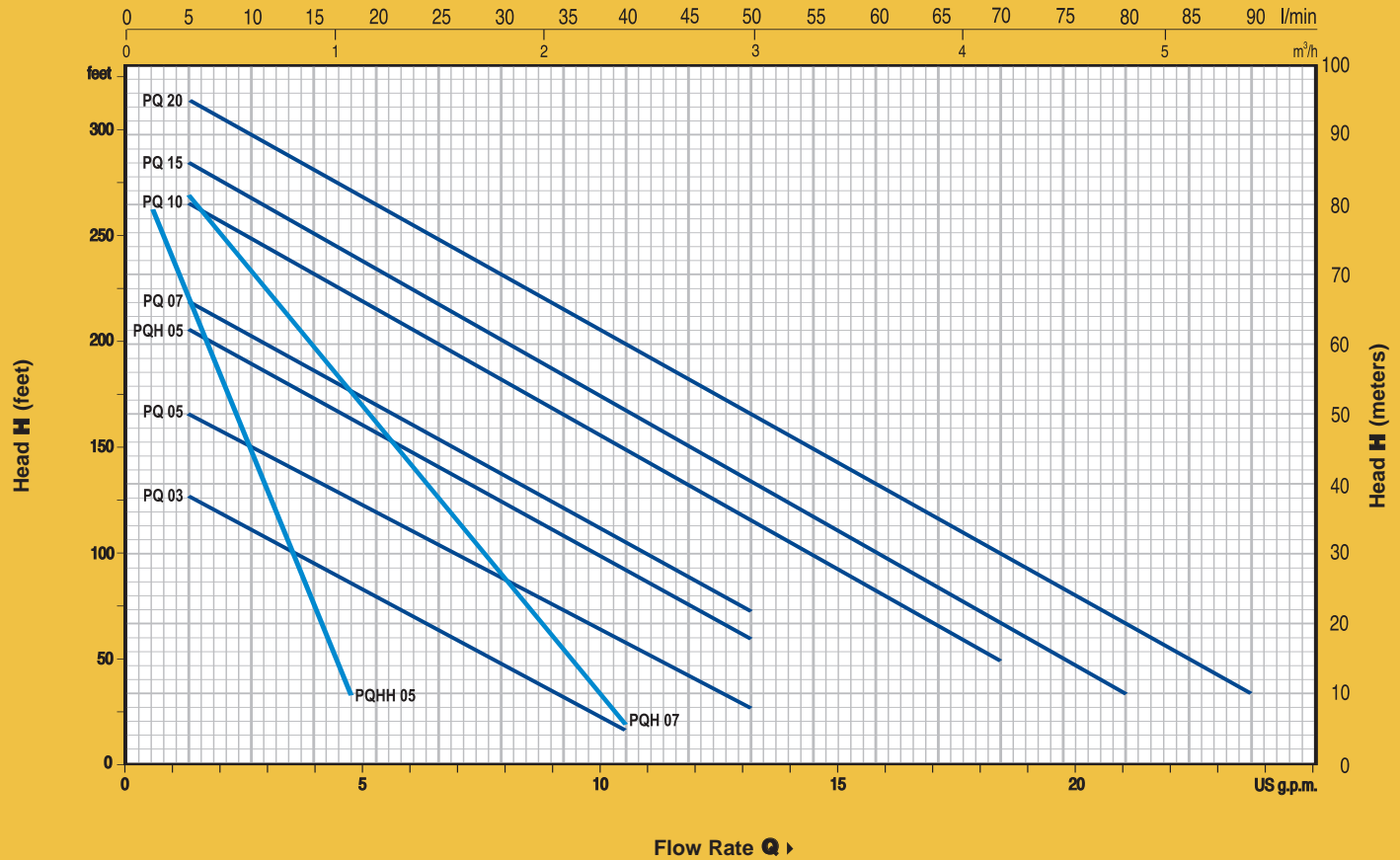
CONSTRUCTION CHARACTERISTICS

- **PUMP BODY:** cast iron, with threaded ports.
- **PUMP BODY:** brass for PQHH 05
- **MOTOR BRACKET (patent n° 1289150):** aluminium with brass insert; reduces starting difficulties due to seizure of the impeller after long periods of inactivity.
- **IMPELLER:** brass, of the type with radial peripheral vanes.
- **MOTOR SHAFT:** stainless steel EN 10088-3 - 1.4104.
- **MECHANICAL SEAL:** ceramic - graphite - NBR.
- **ELECTRIC MOTOR:** the pumps are close-coupled to a carefully matched PEDROLLO electric motor, quiet running, totally enclosed fan cooled (TEFC), suitable for continuous duty.
 - PQ:** single-phase 115 V or 230 V - 60 Hz with capacitor and thermal overload protector.
 - PQ:** three-phase 230/460 V - 60 Hz.
- **INSULATION:** class F. ● **PROTECTION:** IP 44.
- **REGISTERED MODEL n° 72753**

OPTIONS ON REQUEST

- ⇒ pump shaft in stainless steel EN 10088-3 - 1.4401 (AISI 316)
- ⇒ special mechanical seal
- ⇒ protection IP 55
- ⇒ other voltages or frequency 50 Hz

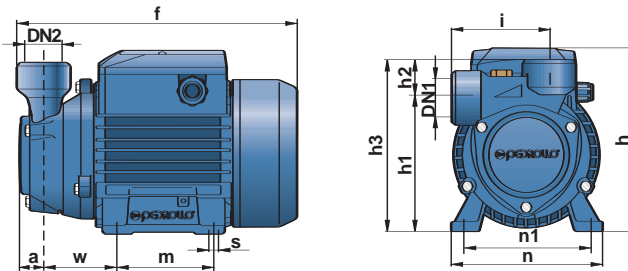
CURVES AND PERFORMANCE DATA



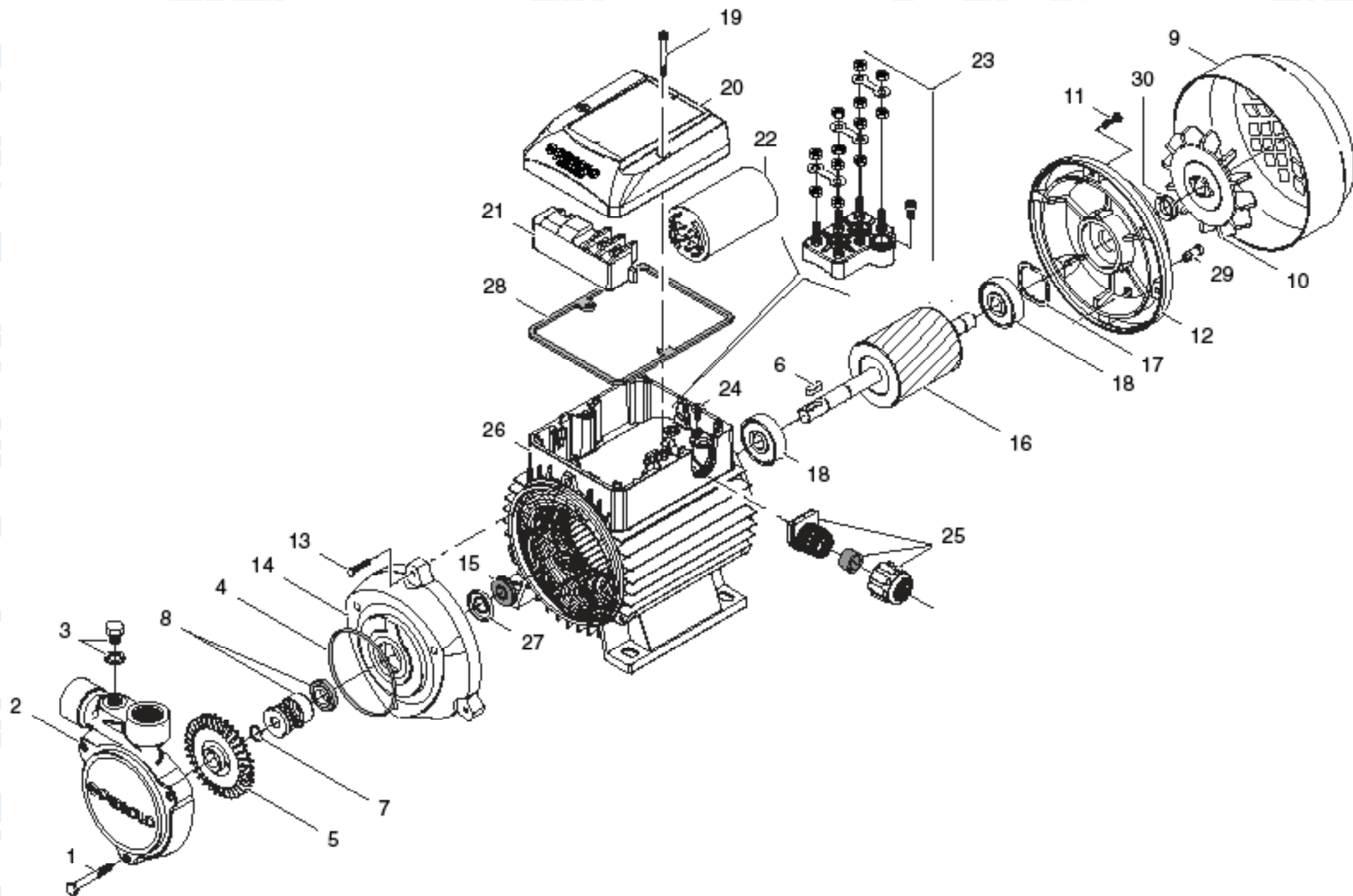
MODEL			HP	FLOW RATE GPM																
1 PH	3 PH			0	1.2	2.7	4	5.2	6.6	8	9.3	10.2	13.2	15.8	18.5	21	23			
				FLOW RATE l/min																
				0	5	10	15	20	25	30	35	40	50	60	70	80	90			
PQ 03	PQ 03	0.33	H Feet	131	125	110	95	79	64	49	33	16								
PQ 05	PQ 05	0.5		181	164	149	133	118	102	89	72	56	26							
PQH 05	PQH 05	0.5		214	204	187	171	154	138	122	105	89	59							
PQ 07	PQ 07	0.7		230	217	200	184	168	151	135	120	102	72							
PQH 07	PQH 07	0.7		296	269	233	197	161	125	89	56	16								
PQ 10	PQ 10	1		279	263	246	230	214	197	181	164	148	115	82	49					
PQ 15	PQ 15	1.5		296	283	266	250	233	215	197	181	164	131	99	66	33				
	PQ 20	2		329	312	279	263	246	230	214	197	164	131	99	66	33				

MODEL			HP	FLOW RATE GPM										
1 PH	3 PH			0	0.5	1	1.5	2	2.8	3	3.3	4	4.8	
				FLOW RATE l/min										
				0	2	4	6	8	10	12	14	16	18	
PQHH 05	PQHH 05	0.5	H Feet	296	263	233	207	177	148	122	92	62	33	
PQHH 05 - Bs	PQHH 05-Bs	0.5		296	263	233	207	177	148	122	92	62	33	

DIMENSIONS AND WEIGHT



MODEL		SUCTION /DISCH		DIMENSIONS INCHES													LBS	
1 PH	3 PH	DN1	DN2	a	f	h	h1	h2	h3	i	m	n	n1	w	s	1~	3~	
PQ 03	PQ 03	1"	1"	0.9	8.8	6.0	4.3	1.2	5.4	3.1	3.1	4.7	3.9	2.2	0.3	11.7	11.7	
PQ 05	PQ 05	1"	1"	0.9	9.21/8.93	6.0	4.4	1.2	5.6	3.1	3.1	4.7	3.9	2.2	0.3	15.6	13.9	
PQH 05	PQH 05	1"	1"	0.9	10.0	7.0	4.8	1.2	5.9	3.3	3.5	5.4	4.4	2.4	0.3	21.8	19.6	
PQHH 05	PQHH 05	1/2"	1/2"	0.7	8.93/8.66	6.0	4.6	0.9	5.6	2.8	3.1	4.7	3.9	2.3	0.3	14.8	15.0	
PQHH 05-Bs	PQHH 05-Bs	1/2"	1/2"	0.9	8.93/8.66	7.0	5.0	1.1	6.0	3.3	3.5	5.4	4.4	2.4	0.3	15.0	15.0	
PQ 07	PQ 07	1"	1"	0.9	10.0	7.0	4.8	1.2	5.9	3.3	3.5	5.4	4.4	2.4	0.3	22.1	19.4	
PQH 07	PQH 07	3/4"	3/4"	0.7	10.0	7.0	5.0	1.1	6.0	3.3	3.5	5.4	4.4	2.4	0.3	22.1	19.8	
PQ 10	PQ 10	1"	1"	1.0	12.5	8.3	5.5	1.2	6.7	3.5	3.9	6.2	4.9	3.3	0.4	32.7	31.6	
PQ 15	PQ 15	1"	1"	1.0	12.5	8.3	5.5	1.2	6.7	3.5	3.9	6.2	4.9	3.3	0.4	34.7	32.7	
	PQ 20	1"	1"	1.0	12.5	8.3	5.5	1.2	6.7	3.5	3.9	6.2	4.9	3.3	0.4	34.7	34.7	

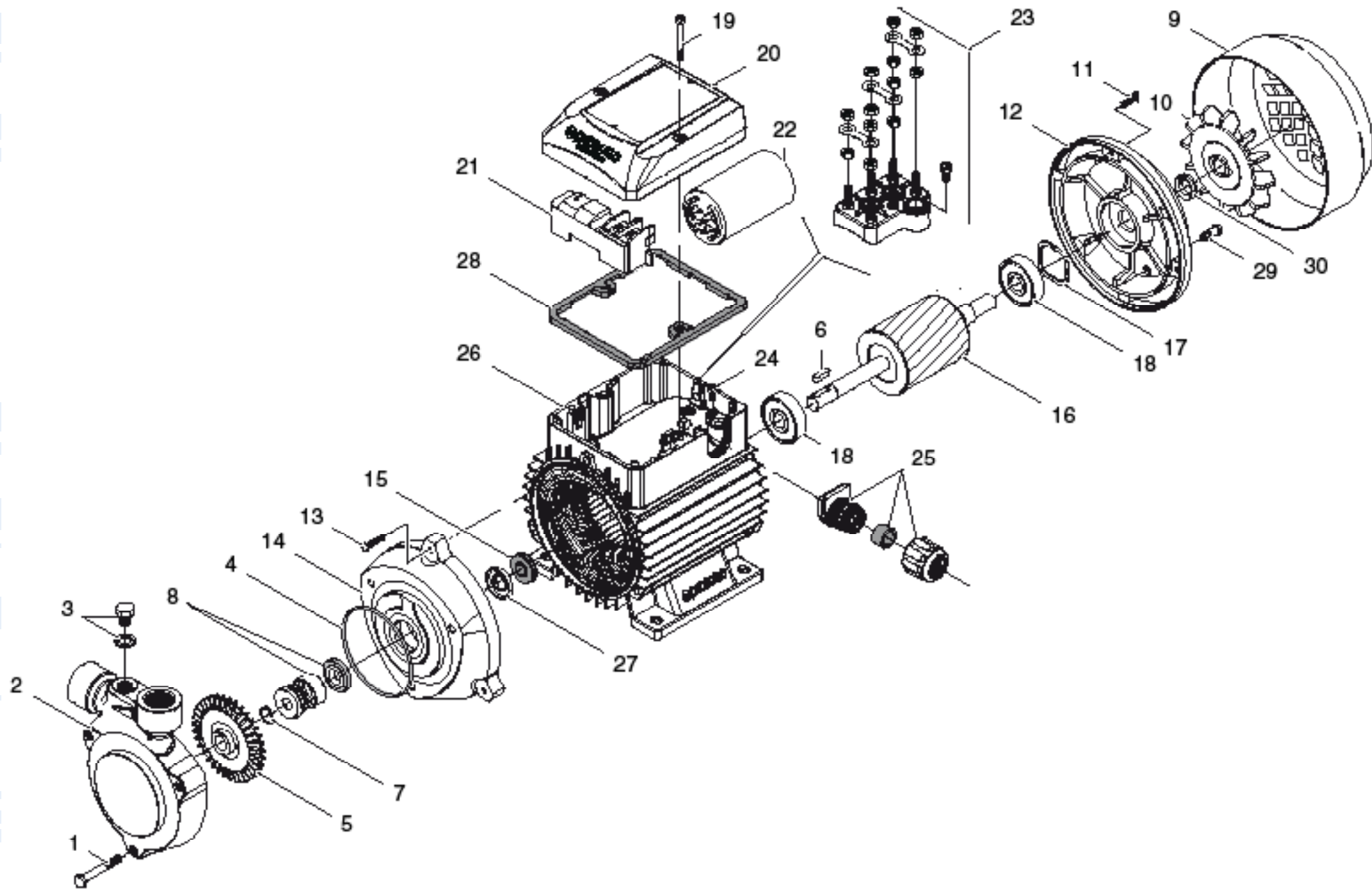


Pos.	Cod.	Q.tà Q.té	Q.ty Can.	Descrizione	Description	Description	Descripción
1	116022	3		Vite corpo pompa	Pump body screw	Vis du corps de pompe	Tornillo del cuerpo bomba
2	850CLPK80	1		Corpo pompa	Pump body	Corps de pompe	Cuerpo bomba
3	119003C	1		Tappo con rondella	Plug with washer	Bouchon avec rondelle	Tapón con arandela
4	11514201362	1		Guarnizione OR per corpo pompa	Pump body O-Ring	Joint torique du corps de pompe	Junta tórica del cuerpo bomba
5	860GRLK81	1		Girante	Impeller	Roue	Rodete
6	114800	1		Linguetta inox per girante	Stainless steel impeller key	Clavette de la roue en acier inox	Chaveta del rodete en acero inoxidable
7	114600	1		Anello di sicurezza Ø 12 mm	Circlip Ø 12 mm	Circlips Ø 12 mm	Anillo de seguridad Ø 12 mm
8	11516461200	1		Tenuta meccanica Ø 12 mm	Mechanical seal Ø 12 mm	Garniture mécanique Ø 12 mm	Sello mecánico Ø 12 mm
9	14CL06	1		Copriventola	Fan cover	Capot de ventilateur	Tapa del ventilador
10	14VN06	1		Ventola	Fan	Ventilateur	Ventilador
11	116001T	3		Vite	Screw	Vis	Tornillo
13	116001T	3		Vite	Screw	Vis	Tornillo
14	SC068LN	1		Lantern di raccordo	Motor bracket	Lanterne de raccordement	Soporte motor
17	114000	1		Molla di compensazione	Compensation spring	Ressort de compensation	Muelle de compensación
18	113001	2		Cuscinetto a sfere	Ball bearing	Roulement à billes	Rodamiento
19	116035T	2		Vite	Screw	Vis	Tornillo
20	14COK06IPA	1		Coprimorsettiera	Terminal box	Couvercle de boîtier à bornes	Tapa bornes
24	116031T	1		Vite	Screw	Vis	Tornillo
25	ASSPC7	1		Passacavo	Cable grommet	Passe câble	Pasacable
VERSIONE MONOFASE - SINGLE PHASE VERSION - VERSION MONOPHASE - VERSION MONOFASICA							
12	SC0603	1		Scudo	End shield	Flasque arrière	Tapa motor
15	115104	1		Deflettore	Deflector	Deflecteur	Deflector
16	RFP061L01B	1		Albero con rotore	Shaft with rotor	Arbre avec rotor	Eje con rotor
21	114421	1		Morsettiera	Terminal board	Boîte à bornes	Placa bornes
22	111014F	1		Condensatore 14 µF	Capacitor 14 µF	Condensateur 14 µF	Condensador 14 µF
22	112030F	1		Condensatore 30 µF	Capacitor 14 µF	Condensateur 14 µF	Condensador 14 µF
26	CA061LP0P1UL	1		Cassa motore con statore avvolto (220V - 60 Hz)	Motor casing with windings (220V - 60 Hz)	Carcasse moteur avec bobinage (220V - 60 Hz)	Caja motor con estator bobinado (220V - 60 Hz)
26	CA061LP0U1UL	1		Cassa motore con statore avvolto (115V - 60 Hz)	Motor casing with windings (115V - 60 Hz)	Carcasse moteur avec bobinage (115V - 60 Hz)	Caja motor con estator bobinado (115V - 60 Hz)

Segue/Follows/Suite/Sigue ►

Pos.	Cod.	Q.tà Q.té	Q.ty Can.	Descrizione	Description	Description	Descripción
VERSIONE TRIFASE - THREE PHASE VERSION - VERSION TRIPHASE - VERSION TRIFASICA							
12	SC0600	1		Scudo	End shield	Flasque arrière	Tapa motor
15	115104	1		Deflettore	Deflector	Deflecteur	Deflector
16	RTP061C15B	1		Albero con rotore	Shaft with rotor	Arbre avec rotor	Eje con rotor
23	ASSMORS01	1		Morsettiera	Terminal board	Boîte à bornes	Placa bornes
26	CA061CPOA	1		Cassa motore con statore avvolto (220/440V - 60 Hz)	Motor casing with windings (220/440V - 60 Hz)	Carcasse moteur avec bobinage (220/440V - 60 Hz)	Caja motor con estator bobinado (220/440V - 60 Hz)
PROTEZIONE IP55 - IP55 PROTECTION - PROTECTION IP55 - PROTECCION IP55 (MONOFASE - SINGLE PHASE - MONOPHASE - MONOFASICA)							
12	SC06031	1		Scudo	End shield	Flasque arrière	Tapa motor
27	11514501215	1		Anello di tenuta	Sealing ring	Joint a lèvres	Anillo de cierre
28	1170501	1		Guarnizione	Gasket	Joint	Junta
29	119012	1		Tappo	Plug	Bouchon	Tapón
30	1151045	1		Anello di tenuta	Sealing ring	Joint a lèvres	Anillo de cierre
PROTEZIONE IP55 - IP55 PROTECTION - PROTECTION IP55 - PROTECCION IP55 (TRIFASE - THREE PHASE - TRIPHASE - TRIFASICA)							
12	SC06001	1		Scudo	End shield	Flasque arrière	Tapa motor
27	11514501215	1		Anello di tenuta	Sealing ring	Joint a lèvres	Anillo de cierre
28	1170501	1		Guarnizione	Gasket	Joint	Junta
29	119012	1		Tappo	Plug	Bouchon	Tapón
30	1151045	1		Anello di tenuta	Sealing ring	Joint a lèvres	Anillo de cierre

Con riserva di modifiche. Technical modifications reserved. Sous réserve de modification technique. Reservado el derecho a introducir modificaciones.



Pos.	Cod.	Q.tà Q.té	Q.ty Can.	Descrizione	Description	Description	Descripción
1	116022	3		Vite corpo pompa	Pump body screw	Vis du corps de pompe	Tornillo del cuerpo bomba
2	850VLPK80A	1		Corpo pompa	Pump body	Corps de pompe	Cuerpo bomba
3	119003C	1		Tappo con rondella	Plug with washer	Bouchon avec rondelle	Tapón con arandela
4	11514201362	1		Guarnizione OR per corpo pompa	Pump body O-Ring	Joint torique du corps de pompe	Junta tórica del cuerpo bomba
5	860GRLK81	1		Girante	Impeller	Roue	Rodete
6	114800	1		Linguetta inox per girante	Stainless steel impeller key	Clavette de la roue en acier inox	Chaveta del rodete en acero inoxidable
7	114600	1		Anello di sicurezza Ø 12 mm	Circlip Ø 12 mm	Circlips Ø 12 mm	Anillo de seguridad Ø 12 mm
8	11516461200	1		Tenuta meccanica Ø 12 mm	Mechanical seal Ø 12 mm	Garniture mécanique Ø 12 mm	Sello mecánico Ø 12 mm
9	14CL06	1		Copriventola	Fan cover	Capot de ventilateur	Tapa del ventilador
10	14VN06	1		Ventola	Fan	Ventilateur	Ventilador
11	116001T	3		Vite	Screw	Vis	Tornillo
13	116001T	3		Vite	Screw	Vis	Tornillo
14	SC068LN	1		Lanternia di raccordo	Motor bracket	Lanterne de raccordement	Soporte motor
17	114000	1		Molla di compensazione	Compensation spring	Ressort de compensation	Muelle de compensación
18	113001	2		Cuscinetto a sfere	Ball bearing	Roulement à billes	Rodamiento
19	116035T	2		Vite	Screw	Vis	Tornillo
20	14COK06IPA	1		Coprimorsettiera	Terminal box	Couvercle de boîtier à bornes	Tapa bornes
24	116031T	1		Vite	Screw	Vis	Tornillo
25	ASSPC7	1		Passacavo	Cable grommet	Passe câble	Pasacable
VERSIONE MONOFASE - SINGLE PHASE VERSION - VERSION MONOPHASE - VERSION MONOFASICA							
12	SC0603	1		Scudo	End shield	Flasque arrière	Tapa motor
15	115104	1		Deflettore	Deflector	Deflecteur	Deflector
16	RFP061L01B	1		Albero con rotore	Shaft with rotor	Arbre avec rotor	Eje con rotor
21	114421	1		Morsettiera	Terminal board	Boîte à bornes	Placa bornes
22	111014F	1		Condensatore 14 µF	Capacitor 14 µF	Condensateur 14 µF	Condensador 14 µF
22	112030F	1		Condensatore 30 µF	Capacitor 30 µF	Condensateur 30 µF	Condensador 30 µF
26	CA061LP0P1UL	1		Cassa motore con statore avvolto (220V - 60 Hz)	Motor casing with windings (220V - 60 Hz)	Carcasse moteur avec bobinage (220V - 60 Hz)	Caja motor con estator bobinado (220V - 60 Hz)
26	CA061LP0U1UL	1		Cassa motore con statore avvolto (115V - 60 Hz)	Motor casing with windings (115V - 60 Hz)	Carcasse moteur avec bobinage (115V - 60 Hz)	Caja motor con estator bobinado (115V - 60 Hz)

Segue/Follows/Suite/Sigue ►

Pos.	Cod.	Q.tà Q.té	Q.ty Can.	Descrizione	Description	Description	Descripción
VERSIONE TRIFASE - THREE PHASE VERSION - VERSION TRIPHASE - VERSION TRIFASICA							
12	SC0600	1		Scudo	End shield	Flasque arrière	Tapa motor
15	115104	1		Deflettore	Deflector	Deflecteur	Deflector
16	RTP061C15B	1		Albero con rotore	Shaft with rotor	Arbre avec rotor	Eje con rotor
23	ASSMORS01	1		Morsettiera	Terminal board	Boîte à bornes	Placa bornes
26	CA061CPOA	1		Cassa motore con statore avvolto (220/440V - 60 Hz)	Motor casing with windings (220/440V - 60 Hz)	Carcasse moteur avec bobinage (220/440V - 60 Hz)	Caja motor con estator bobinado (220/440V - 60 Hz)
PROTEZIONE IP55 - IP55 PROTECTION - PROTECTION IP55 - PROTECCION IP55 (MONOFASE - SINGLE PHASE - MONOPHASE - MONOFASICA)							
12	SC06031	1		Scudo	End shield	Flasque arrière	Tapa motor
27	11514501215	1		Anello di tenuta	Sealing ring	Joint a lèvres	Anillo de cierre
28	1170501	1		Guarnizione	Gasket	Joint	Junta
29	119012	1		Tappo	Plug	Bouchon	Tapón
30	1151045	1		Anello di tenuta	Sealing ring	Joint a lèvres	Anillo de cierre
PROTEZIONE IP55 - IP55 PROTECTION - PROTECTION IP55 - PROTECCION IP55 (TRIFASE - THREE PHASE - TRIPHASE - TRIFASICA)							
12	SC06001	1		Scudo	End shield	Flasque arrière	Tapa motor
27	11514501215	1		Anello di tenuta	Sealing ring	Joint a lèvres	Anillo de cierre
28	1170501	1		Guarnizione	Gasket	Joint	Junta
29	119012	1		Tappo	Plug	Bouchon	Tapón
30	1151045	1		Anello di tenuta	Sealing ring	Joint a lèvres	Anillo de cierre

Con riserva di modifiche. Technical modifications reserved. Sous réserve de modification technique. Reservado el derecho a introducir modificaciones.