



DRAINAGE submersible pumps for clear or slightly dirty water

DRAINAGE submersible pumps for professional use, particularly reliable with generous motor specification and hard-faced mechanical seal.



RANGE OF PERFORMANCE

Flow rate up to 105 gpm
Head up to 88 ft

LIMITS OF USE

Depth up to 15 ft
Liquid temperature up to 104°F
Passage of suspended solid bodies up to 3/8"
Drainage level 1/2" from the bottom
For continuous duty: minimum immersion 8.5" from pump base

CONSTRUCTION AND SAFETY STANDARDS

EN 60 335-1	EN 60034-1
IEC 335-1	IEC 34-1
CEI 61-150	CEI 2-3



INSTALLATION AND USE

DESIGNED FOR DRAINING CLEAR OR SLIGHTLY DIRTY WATER WITH SMALL SOLIDS, THEY ARE RECOMMENDED FOR DOMESTIC, CIVIL AND PROFESSIONAL USE, FOR DRAINING FLOODED AREAS SUCH AS CELLARS AND GARAGES OR FOR EMPTYING SWIMMING POOLS OR TANKS AND FOR DISPOSING OF NON-SEWAGE WASTE WATER. THESE PUMPS ARE OUTSTANDING IN THEIR RELIABILITY IN FIXED INSTALLATIONS WITH AUTOMATIC OPERATION.

GUARANTEE 2 YEARS subject to our general terms of sale.

CONSTRUCTION CHARACTERISTICS

- **DELIVERY BODY:** cast iron, with threaded port ISO 228/1.
- **MOTOR CASING:** stainless steel AISI 304.
- **SUCTION GRID:** stainless steel AISI 304.
- **IMPELLER:** open type, in glass filled technopolymer
- **MOTOR SHAFT:** stainless steel EN 10088-3 - 1.4104.
- **DOUBLE SEAL:** mechanical seal **silicon carbide - NBR**, with oil barrier chamber and inner lip seal to protect the seal in the event of dry running.
- **MOTOR:** submersible asynchronous for continuous duty.
 - D: single-phase 115 V or 230 V - 60 Hz with capacitor and thermal overload protector.
 - D: three-phase 230V - 60 Hz.
- **INSULATION:** class F. • **PROTECTION:** IP 68.

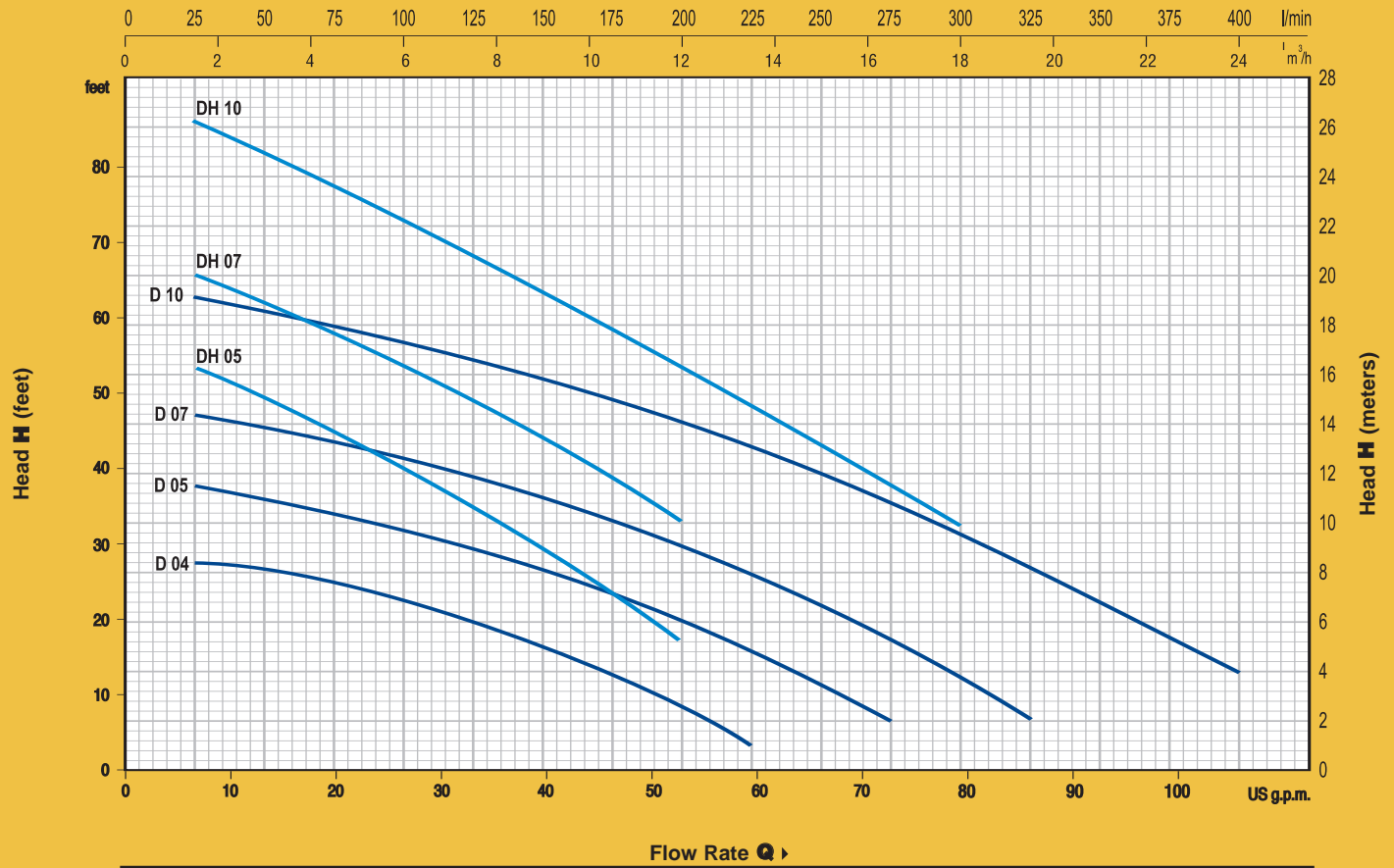
STANDARD FEATURES:

- D** (single-phase) Float switch.
Neoprene power cable "H07 RN-F"
length 15 ft
- D** (three-phase) Neoprene power cable "H07 RN-F"
length 15 ft

OPTIONS ON REQUEST

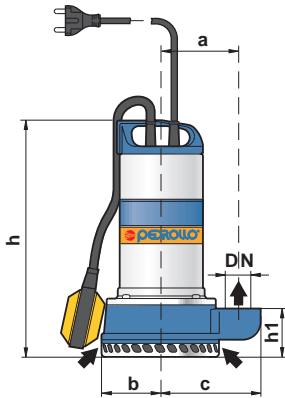
- ⇒ 30 ft power cable.
N.B. required for outdoor use to comply with standard EN 60335-2-41
- ⇒ control box for three-phase pumps 1.0 Hp
- ⇒ single-phase pumps without float switch
- ⇒ other voltages or frequency 50 Hz

CURVES AND PERFORMANCE DATA

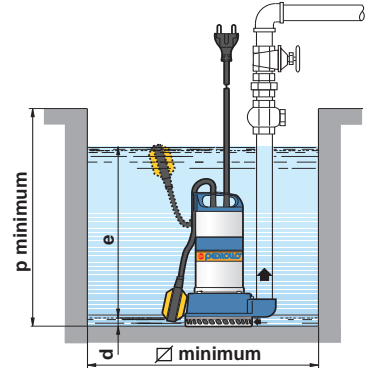


MODEL		HP	FLOW RATE GPM	0	7	13	20	26	33	40	46	53	60	66	73	79	86	93	106		
1 PH	3 PH		FLOW RATE l/min	0	25	50	75	100	125	150	175	200	225	250	275	300	325	350	400		
D 04		0.4	H Feet	30	28	26	25	22	20	17	13	9	3								
D 05		0.5		39	38	36	34	32	30	27	24	20	16	11	7						
D 07	D 07	0.7		49	48	46	43	41	39	36	33	30	26	22	18	11	7				
D 10	D 10	1		64	62	61	59	57	54	52	49	46	43	39	34	30	26	23	13		
DH 05		0.5		56	54	49	44	39	35	30	25	16									
DH 07	DH 07	0.7		69	66	62	57	52	49	44	39	33									
DH 10	DH 10	1		89	85	82	77	72	69	64	59	52	48	43	38	33					

DIMENSIONS AND WEIGHT



Typical single-phase installation



MODEL		DISCH	DIMENSIONS INCHES										LBS	
1 PH	3 PH	DN	a	b	c	h	h1	d	e	p	Ø min	1~	3~	
D 04		1 1/2"	4.1	3.1	5.3	12.6	2.6	0.5	Adjustable	19.7	19.7	23		
D 05												26		
D 07	D 07		29	26										
D 10	D 10		34	31										
DH 05			27											
DH 07	DH 07		29	26										
DH 10	DH 10	34	31											