

Bz pumps with bronze body



RANGE OF PERFORMANCE

Flow rate up to 24 gpm
Head up to 180 ft.

LIMITS OF USE

Liquid temperature up to + 194°F
Environment temperature up to + 104°F

CONSTRUCTION AND SAFETY STANDARDS

EN 60034-1
IEC 34-1
CEI 2-3



INSTALLATION AND USE

They are recommended for pumping clean water without abrasive particles and liquids that are chemically non aggressive to the materials from which the pump is made. **THE NON-FERROUS CONSTRUCTION GUARANTEES AGAINST RUST AND OXIDATION. THE COMPACT DESIGN AND HYDRAULIC CHARACTERISTICS SUIT INDUSTRIAL APPLICATIONS INCLUDING COOLING AND CONDITIONING SYSTEMS.**

The pumps must be installed in enclosed places, or at least protected against inclement weather.

GUARANTEE 2 YEARS subject to our general terms of sale.

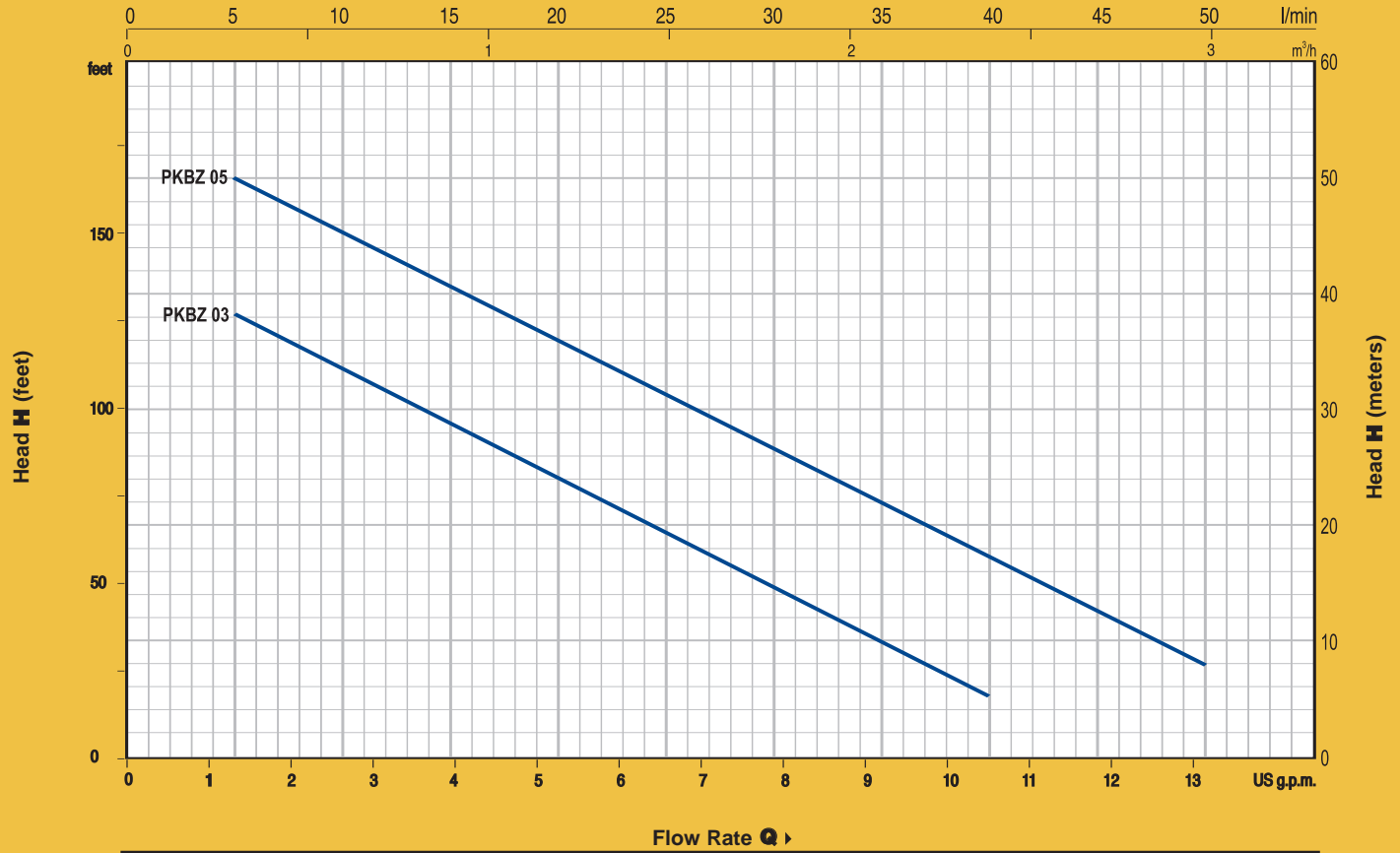
CONSTRUCTION CHARACTERISTICS

- **PUMP BODY:** bronze, with threaded ports.
- **MOTOR BRACKET (patent n° 1289150) PK-Bz, PQ-Bz:** aluminium with brass front insert.
- **BODY BACK-PLATE:** CP-Bz: stainless steel AISI 316.
- **IMPELLER:** PK-Bz, PQ-Bz: brass.
CP-Bz: stainless steel AISI 316
- **MOTOR SHAFT:** stainless steel AISI 316.
- **MECHANICAL SEAL:** ceramic - graphite - VITON.
- **ELECTRIC MOTOR:** induction motor, for continuous duty.
Single-phase: 115 V or 230 V - 60 Hz with capacitor and thermal overload protector.
Three-phase: 230/460 V - 60 Hz.
- **INSULATION:** class F. • **PROTECTION:** IP 44.

OPTIONS ON REQUEST

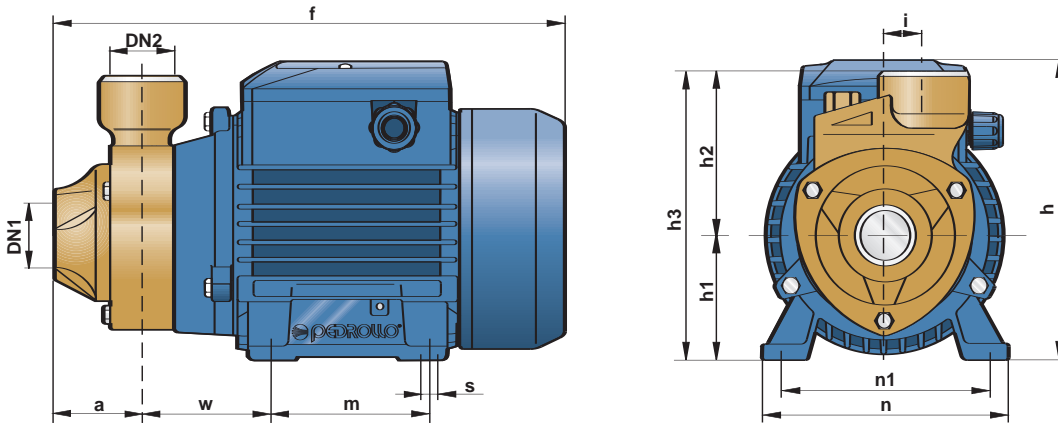
- ⇒ special mechanical seal
- ⇒ other voltages or frequency 50 Hz
- ⇒ protection IP 55
- ⇒ for liquids with higher temperatures
- ⇒ for environments with higher temperatures

CURVES AND PERFORMANCE DATA



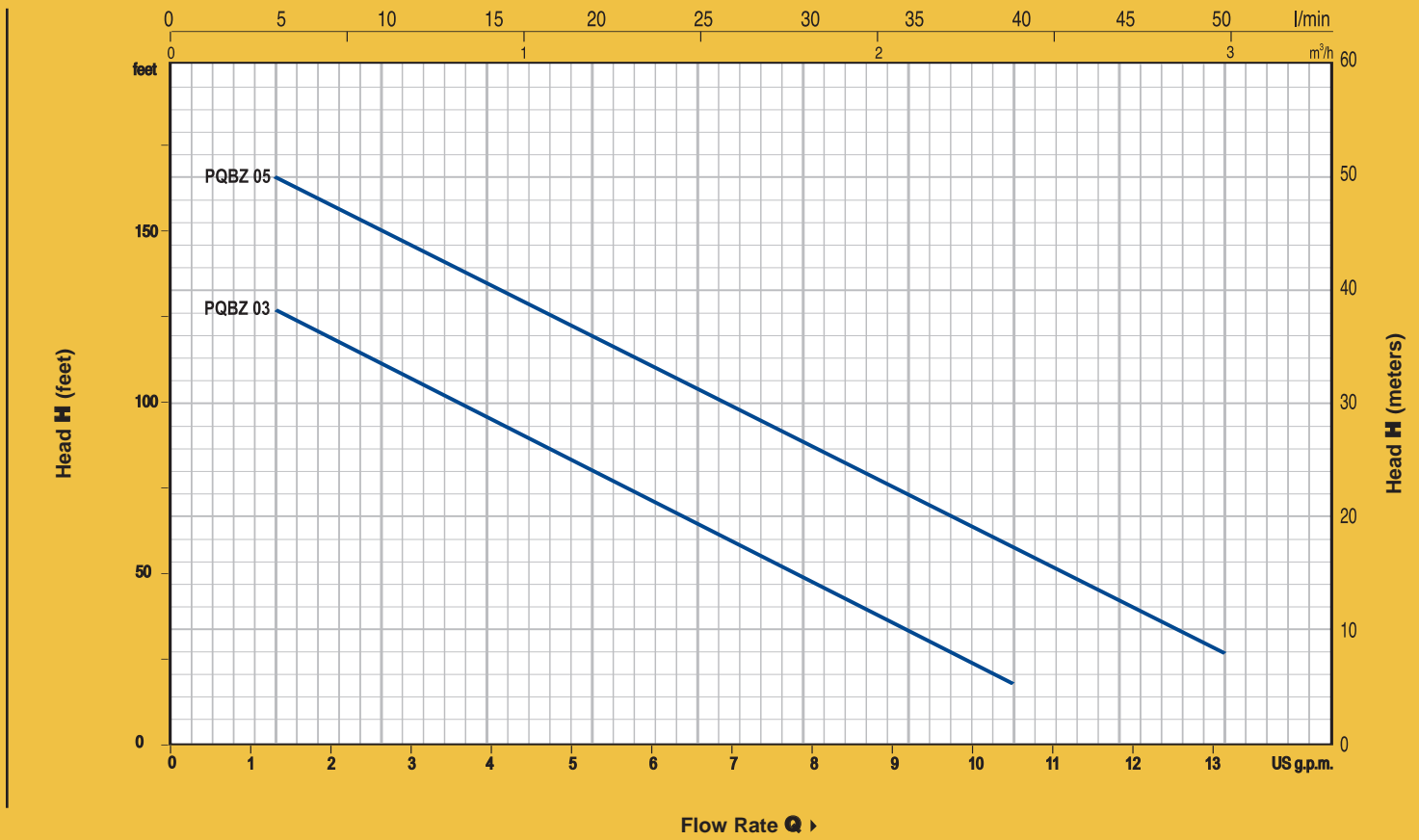
MODEL		HP	FLOW RATE												
1 PH	3 PH		GPM		l/min										
PKBZ 03	PKBZ 03	0.33	H Feet		0	5	10	15	20	25	30	35	40	50	60
PKBZ 05	PKBZ 05	0.5			131	124	110	95	78	64	49	32	16		
					181	164	149	133	118	101	88	72	55	26	

DIMENSIONS AND WEIGHT



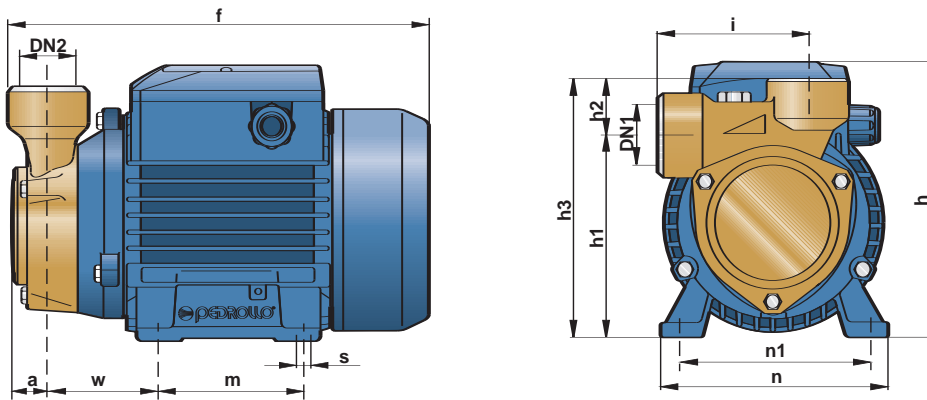
MODEL		SUCTION / DISCH		DIMENSIONS INCHES													LBS	
1 PH	3 PH	DN1	DN2	a	f	h	h1	h2	h3	i	m	n	n1	w	s	1~	3~	
PKBZ 03	PKBZ 03	1"	1"	1.7	9.5	5.9	2.4	2.9	5.4	0.7	3.1	4.7	3.9	2.1	0.2	11.7	11.7	
PKBZ 05	PKBZ 05	1"	1"	1.9	10.2/9.8	5.9	2.4	3.1	5.6	0.7	3.1	4.7	3.9	2.1	0.2	17.0	14.1	

CURVES AND PERFORMANCE DATA



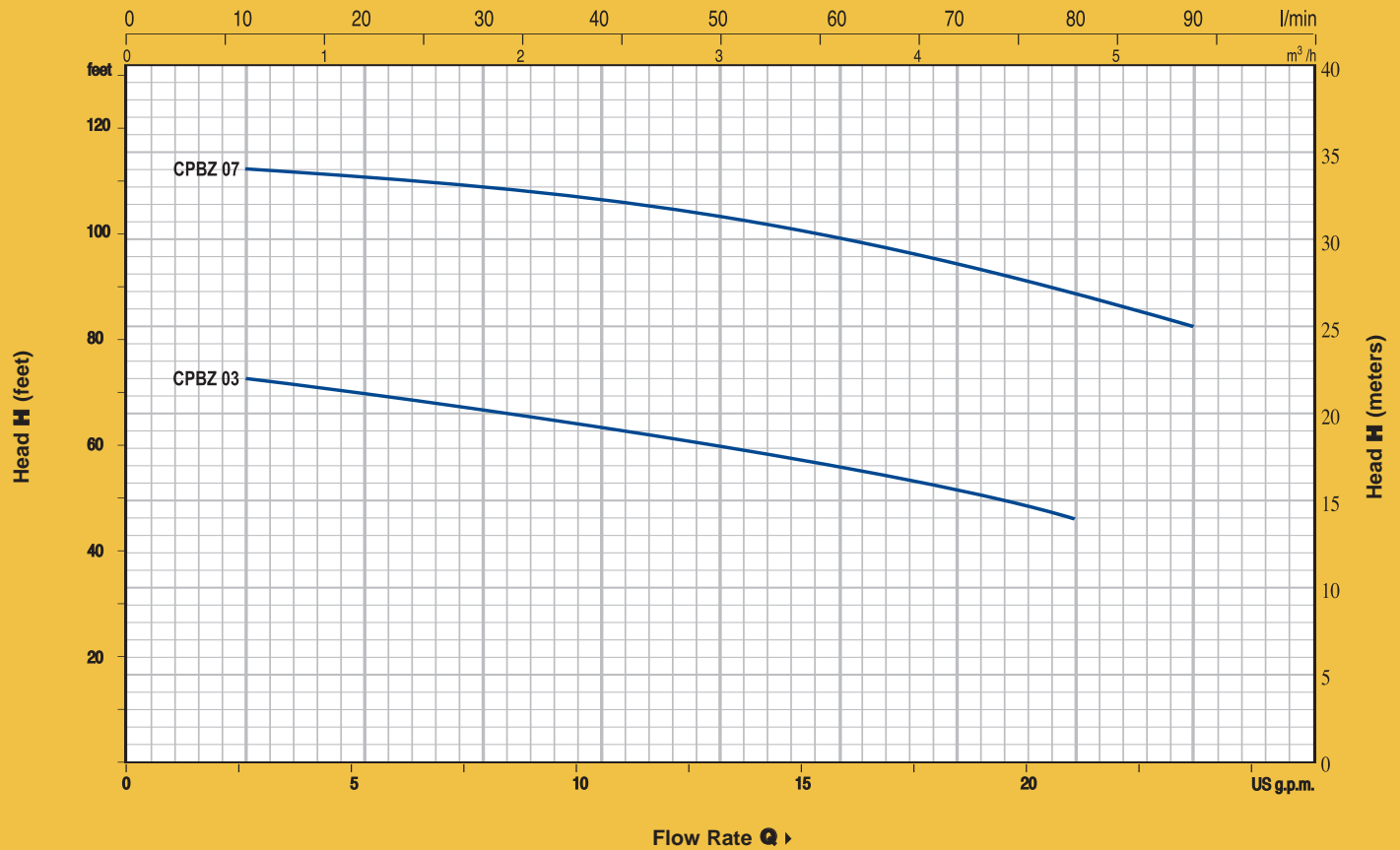
MODEL		HP	FLOW RATE GPM														
1 PH	3 PH		FLOW RATE l/min														
PQBZ 03	PQBZ 03	0.33	H Feet														
PQBZ 05	PQBZ 05	0.5	131	124	110	95	78	64	49	32	16						
			181	164	149	133	118	101	88	72	55	26					

DIMENSIONS AND WEIGHT



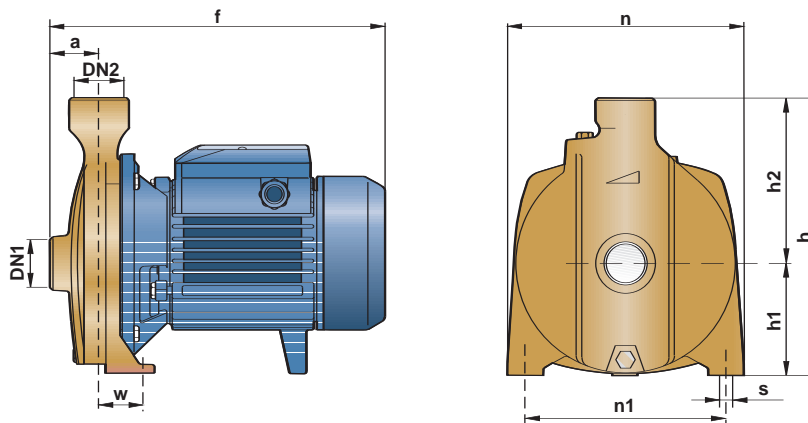
MODEL		SUCTION / DISCH		DIMENSIONS INCHES												LBS	
1 PH	3 PH	DN1	DN2	a	f	h	h1	h2	h3	i	m	n	n1	w	s	1~	3~
PQBZ 03	PQBZ 03	1"	1"	1.7	9.5	5.9	2.4	2.9	5.4	0.7	3.1	4.7	3.9	2.1	0.2	11.7	11.7
PQBZ 05	PQBZ 05	1"	1"	1.9	10.2/9.85	5.9	2.	3.1	5.6	0.7	3.1	4.7	3.9	2.1	0.	17	14.1

CURVES AND PERFORMANCE DATA



MODEL		HP	FLOW RATE GPM																				
1 PH	3 PH		FLOW RATE l/min																				
CPBZ 03	CPBZ 03	0.33	0	2.6	5.2	7.9	10.5	13.2	15.8	18.5	21	23.8	H Feet		76	72	69	66	62	59	56	51	46
CPBZ 07	CPBZ 07	0.7	H Feet		118	112	108	108	105	102	99	95	89	82									

DIMENSIONS AND WEIGHT



MODEL		SUCTION /DISCH		DIMENSIONS INCHES									LBS	
1 PH	3 PH	DN1	DN2	a	f	h	h1	h2	n	n1	W	s	1~	3~
CPBZ 03	CPBZ 03	1"	1"	1.7	10.2	8.1	3.2	4.8	6.5	5.3	1.6	0.4	18.8	18.3
CPBZ 07	CPBZ 07	1"	1"	1.7	11.2	9.4	3.6	5.8	7.5	6.3	1.5	0.4	28.3	27.2