

3-4CP

multi-stage centrifugal pumps



Particularly quiet running with high efficiency and low power consumption. Suitable for domestic applications.

RANGE OF PERFORMANCE

Flow rate up to 34 gpm
Head up to 164 ft

LIMITS OF USE

Manometric suction lift up to 23 ft
Liquid temperature up to + 104°F
Environment temperature up to + 104°F

CONSTRUCTION AND SAFETY STANDARDS

EN 60 335-1	EN 60034-1
IEC 335-1	IEC 34-1
CEI 61-150	CEI 2-3



INSTALLATION AND USE

They are recommended for pumping clean water and liquids that are chemically non aggressive to the materials from which the pump is made.

DUE TO THEIR RELIABILITY, QUIET RUNNING AND LOW MAINTENANCE, THEY ARE SUITABLE FOR DOMESTIC APPLICATIONS INCLUDING WATER SUPPLIES (AS A PRESSURE SET), GARDEN IRRIGATION, ETC.

The pumps must be installed in enclosed places, or at least protected against inclement weather.

GUARANTEE 2 YEARS subject to our general terms of sale.

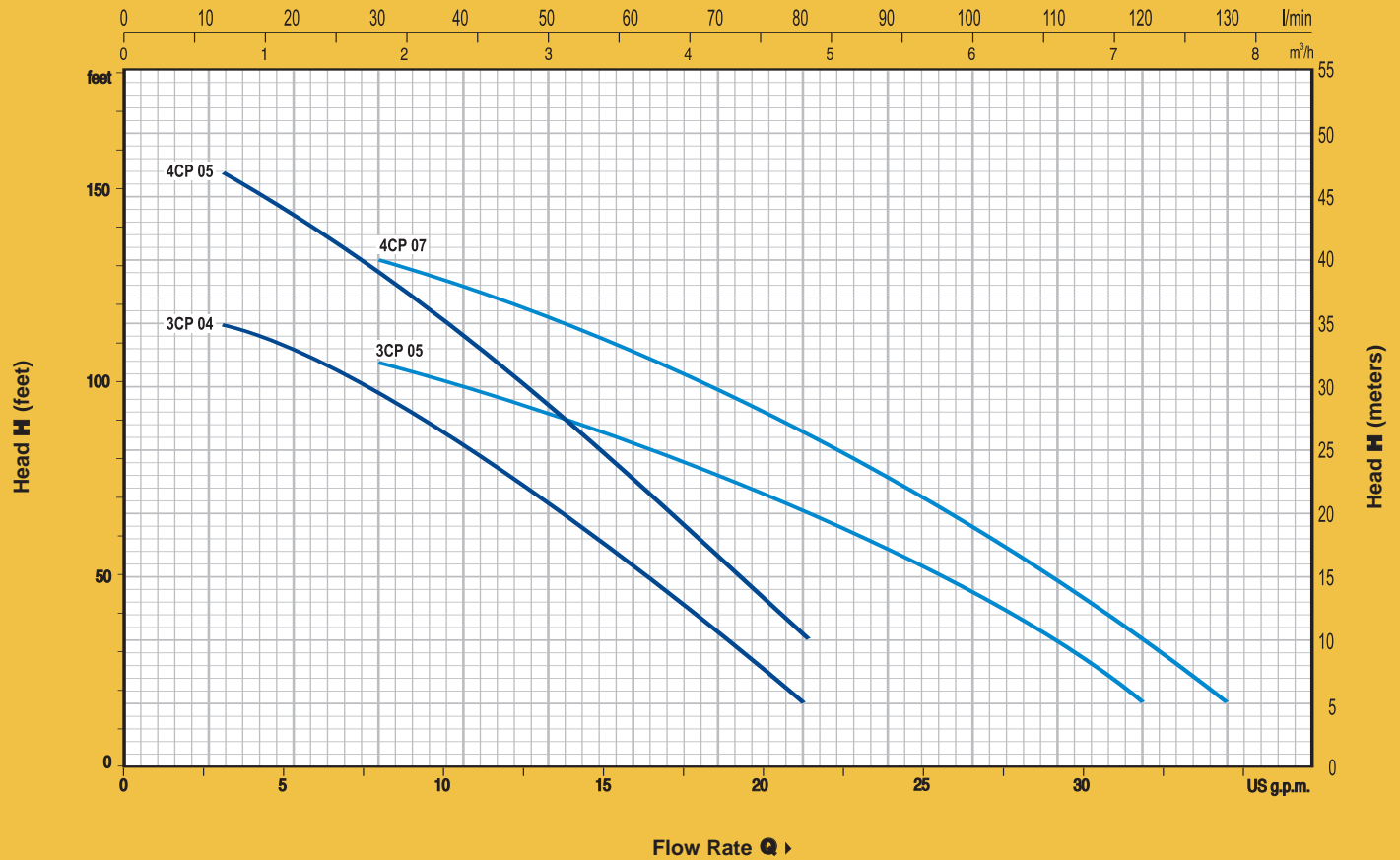
CONSTRUCTION CHARACTERISTICS

- **PUMP BODY:** cast iron, with threaded ports.
- **BODY BACK-PLATE:** stainless steel AISI 304.
- **IMPELLERS:** of the type with centrifugal radial flow, made of technopolymer (approved for drinking water).
- **MOTOR SHAFT:** stainless steel EN 10088-3 - 1.4104
- **MECHANICAL SEAL:** ceramic - graphite - NBR.
- **ELECTRIC MOTOR:** the pumps are close-coupled to a carefully matched PEDROLLO electric motor, quiet running, totally enclosed fan cooled (TEFC), suitable for continuous duty.
 - 3-4CP:** single-phase 115 V or 230 V - 60 Hz with capacitor and thermal overload protector.
 - 3-4CP:** three-phase 230/460 V - 60 Hz.
- **INSULATION:** class F. • **PROTECTION:** IP 44.
- **REGISTERED MODEL**

OPTIONS ON REQUEST

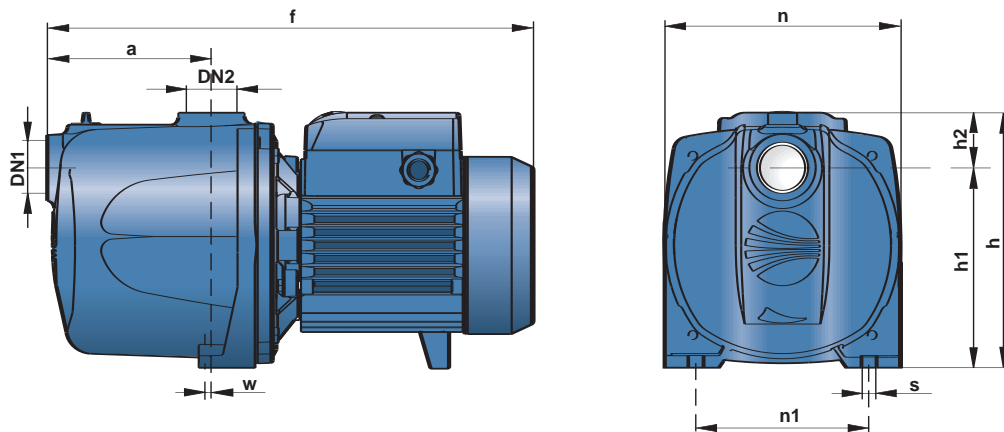
⇒ other voltages or frequency 50 Hz

CURVES AND PERFORMANCE DATA



MODEL		HP	FLOW RATE GPM																	
1 PH	3 PH		0	1	2	3	5	6	7	10	13	15	18	21	23	26	29	31	34	
3CP 04	3CP 04	0.4	H Feet																	
4CP 05	4CP 05	0.5																		
3CP 05	3CP 05	0.5																		
4CP 07	4CP 07	0.7																		
			0	5	10	15	20	25	30	40	50	60	70	80	90	100	110	120	130	
			125	118	115	112	110	102	95	82	66	51	33	16						
			164	158	154	148	141	133	126	110	92	74	53	33						
			118	117	115	112	110	107	105	99	92	85	76	66	56	44	33	16		
			151	148	145	141	138	135	131	125	117	108	99	87	74	62	49	33	16	

DIMENSIONS AND WEIGHT



MODEL		SUCTION /DISCH		DIMENSIONS INCHES										LBS	
1 PH	3 PH	DN1	DN2	a	f	h	h1	h2	n	n1	w	s	1-	3-	
3CP 04	3CP 04	1"	1"	4.3	13.1	6.8	5.3	1.5	6.2	4.6	0.1	0.4	19	19	
4CP 05	4CP 05	1"	1"	5.3	14.5 / 14.2	6.8	5.3	1.5	6.2	4.6	0.1	0.4	20.8	19.7	
3CP 05	3CP 05	1"	1"	4.3	13.5 / 13.2	6.8	5.3	1.5	6.2	4.6	0.1	0.4	23.9	22.5	
4CP 07	4CP 07	1"	1"	5.3	14.9	7.5	5.3	2.4	6.2	4.6	0.1	0.4	22.5	20.8	